



Characteristics



- Compact and low profile recessed air curtain with full grille view.
- Self-supporting casing construction made of galvanized steel plate, ready to be installed recessed in a false ceiling.
- Inlet grille (free of maintenance) made with aluminium profiles and blow-out nozzle, integrated in a single white frame colour RAL 9016. Other colours are available on request.
- Double-inlet centrifugal fans driven by an external rotor motor and low noise level. 5-speed selector. "EC" models with very low consumption efficient fans.
- "P" type with water heated coil. "E" type with electrical shielded elements, three stages with integrated regulation. "A" type without heating, air only. Optional "DX" with direct expansion coil.
- Includes Plug&Play control with 7m RJ45 cable and infrared remote control. Optional: Clever control (programmable, automatic, intelligent, energy saving, Modbus RTU for BMS...).

Specifications

AIR ONLY

Model	Airflow m ³ /h	Power Fans		Current Fans 230V-50Hz A	Noise Level (5m) dB(A)	Weight kg
		230V-50Hz kW	230V-50Hz			
RDAM M 1000 A	1800	0,212	0,94	0,94	55	45
RDAM M 1500 A	2700	0,318	1,41	1,41	56	66
RDAM M 2000 A	3600	0,424	1,88	1,88	57	84
RDAM M 2500 A	4500	0,530	2,35	2,35	58	93
RDAM ECM 1000 A	1840	0,142	1,24	1,24	56	45
RDAM ECM 1500 A	2760	0,213	1,86	1,86	57	66
RDAM ECM 2000 A	3680	0,284	2,48	2,48	58	84
RDAM ECM 2500 A	4600	0,355	3,10	3,10	59	93
RDAM G 1000 A	2400	0,642	2,85	2,85	57	49
RDAM G 1500 A	3200	0,856	3,80	3,80	58	71
RDAM G 2000 A	4800	1,284	5,70	5,70	59	94
RDAM G 2500 A	5600	1,498	6,65	6,65	60	103
RDAM ECG 1000 A	2700	0,213	1,86	1,86	61	49
RDAM ECG 1500 A	3600	0,284	2,48	2,48	62	71
RDAM ECG 2000 A	5400	0,426	3,72	3,72	63	94
RDAM ECG 2500 A	6300	0,497	4,34	4,34	64	103

ELECTRICAL HEATED

Model	Airflow m ³ /h	Electrical Heating		Power Fans 230V-50Hz kW	Current Fans 230V-50Hz A	Noise Level (5m) dB(A)	Weight kg
		Capacity 400Vx3-50Hz kW	230V-50Hz				
RDAM M 1000 E	1800	3/6/9	0,212	0,212	0,94	55	52
RDAM M 1500 E	2700	4/8/12	0,318	0,318	1,41	56	78
RDAM M 2000 E	3600	6/12/18	0,424	0,424	1,88	57	102
RDAM M 2500 E	4500	6/12/18	0,530	0,530	2,35	58	113
RDAM ECM 1000 E	1840	3/6/9	0,142	0,142	1,24	56	52
RDAM ECM 1500 E	2760	4/8/12	0,213	0,213	1,86	57	78
RDAM ECM 2000 E	3680	6/12/18	0,284	0,284	2,48	58	102
RDAM ECM 2500 E	4600	6/12/18	0,355	0,355	3,10	59	113
RDAM G 1000 E	2400	5/10/15	0,642	0,642	2,85	57	57
RDAM G 1500 E	3200	7,5/15/22,5	0,856	0,856	3,80	58	84
RDAM G 2000 E	4800	10/20/30	1,284	1,284	5,70	59	112
RDAM G 2500 E	5600	10/20/30	1,498	1,498	6,65	60	123
RDAM ECG 1000 E	2700	5/10/15	0,213	0,213	1,86	61	57
RDAM ECG 1500 E	3600	7,5/15/22,5	0,284	0,284	2,48	62	84
RDAM ECG 2000 E	5400	10/20/30	0,426	0,426	3,72	63	112
RDAM ECG 2500 E	6300	10/20/30	0,497	0,497	4,34	64	123

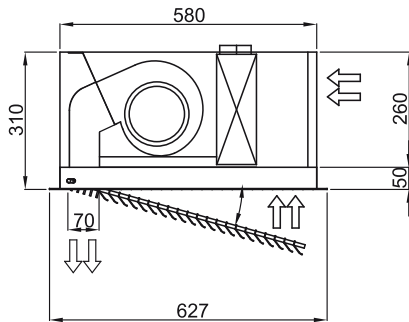
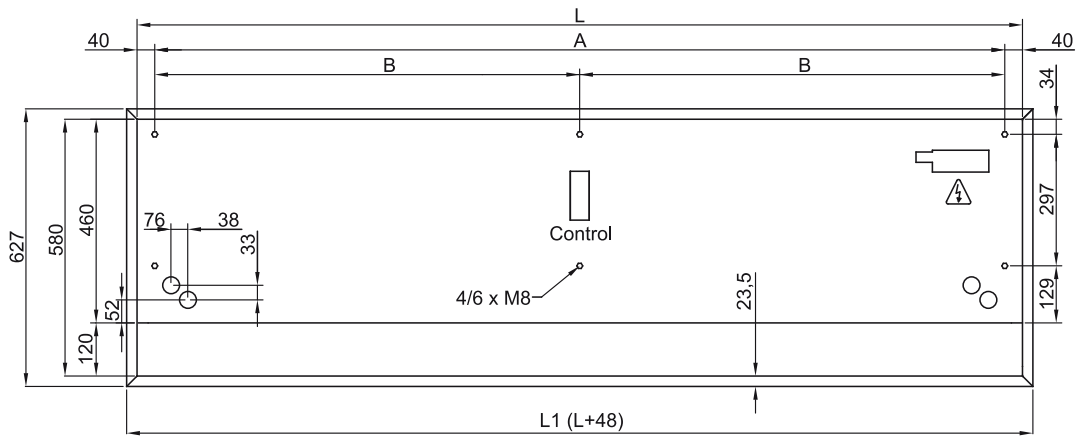
WATER HEATED

Model	Airflow m ³ /h	P86		P64		P54		Power Fans 230V-50Hz kW	Current Fans 230V-50Hz A	Noise Level (5m) dB(A)	Weight kg
		Heating Capacity 80/60°C kW	Water Drop Pressure 80/60°C Pa	Heating Capacity 60/40°C kW	Water Drop Pressure 60/40°C Pa	Heating Capacity 50/40°C kW	Water Drop Pressure 50/40°C Pa				
RDAM M 1000 P	1660	9,17	880	8,56	4370	8,52	1220	0,428	1,90	56	50
RDAM M 1500 P	2490	14,26	760	13,69	6460	14,34	4480	0,642	2,85	57	74
RDAM M 2000 P	3320	20,65	1930	18,26	4790	18,65	2060	0,856	3,80	58	95
RDAM M 2500 P	4150	26,92	3810	22,12	3850	24,32	4040	1,070	4,75	59	106
RDAM ECM 1000 P	1720	9,38	920	8,77	4560	8,74	1280	0,142	1,24	56	50
RDAM ECM 1500 P	2580	14,58	790	14,02	6730	14,71	4690	0,213	1,86	57	74
RDAM ECM 2000 P	3440	21,12	2010	18,70	4990	19,13	2150	0,284	2,48	58	95
RDAM ECM 2500 P	4300	27,53	3960	23,33	4010	24,95	4230	0,355	3,10	59	106
RDAM G 1000 P	2250	11,04	1230	10,42	6190	10,56	1790	0,642	2,85	57	55
RDAM G 1500 P	3000	16,02	940	15,47	8020	16,37	5670	0,856	3,80	58	80
RDAM G 2000 P	4500	24,92	2700	22,29	6810	23,15	3030	1,284	5,70	59	105
RDAM G 2500 P	5250	31,16	4930	26,61	5060	28,76	5450	1,498	6,65	60	114
RDAM ECG 1000 P	2550	11,89	1400	11,27	7110	11,50	2090	0,213	1,86	61	55
RDAM ECG 1500 P	3400	17,29	1070	16,77	9240	17,86	6620	0,284	2,48	62	80
RDAM ECG 2000 P	5100	26,86	3080	24,14	7850	25,24	3530	0,426	3,72	63	105
RDAM ECG 2500 P	5950	33,63	5650	28,84	5840	31,38	6360	0,497	4,34	64	114

Water heated: connection pipes P86 and P64 are 2x3/4" female (male if lateral pipes), P54 2x1" male. P86 2 rows coil, P64 3 rows coil, P54 4 rows coil.



Dimensions

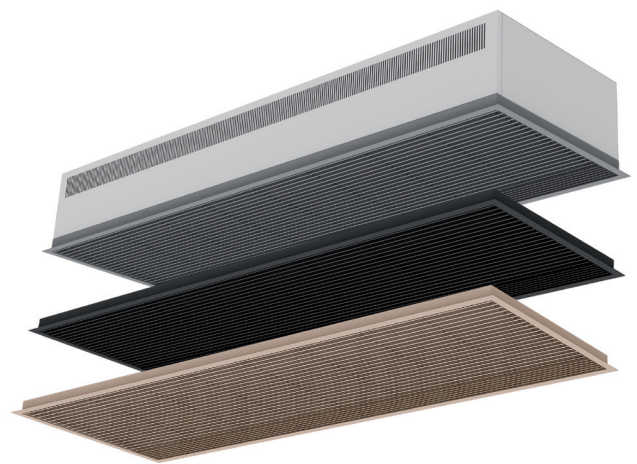


	L	L1	A	B
RDAM 1000	1000	1048	920	-
RDAM 1500	1500	1548	1420	710
RDAM 2000	2000	2048	1920	960
RDAM 2500	2500	2548	2420	1210

Finishes and details



Detail of exposed inlet grille



Customizable inlet grille in RAL color optionally